

GDM

Operated by



BARTLEY
GROUP HOLDINGS LTD

Foodstuffs Gondola Shelving Offer 2025



GoodDesignMatters

Durable
Vibrant

Contemporary
Versatile solutions

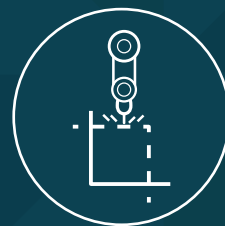
GDM



Consult



Design + Engineer



Manufacture



Install

Innovative from the beginning

NZ-owned and operated since 1978, GDM has a proud history of proactively adopting new technologies, championing design-led manufacturing, and embracing opportunity.

True to the meaning behind the acronym – Good Design Matters – at GDM we believe that the best design-thinking evolves and seeks to challenge itself, maintaining what is valuable and refining what can be improved.

Building new ideas on strong foundations

GDM is proud to be in an era of innovation and improvement buoyed by a recent transition to new ownership under Bartley Group Holdings.

Our team has embraced an opportunity to refine what we do. We have:

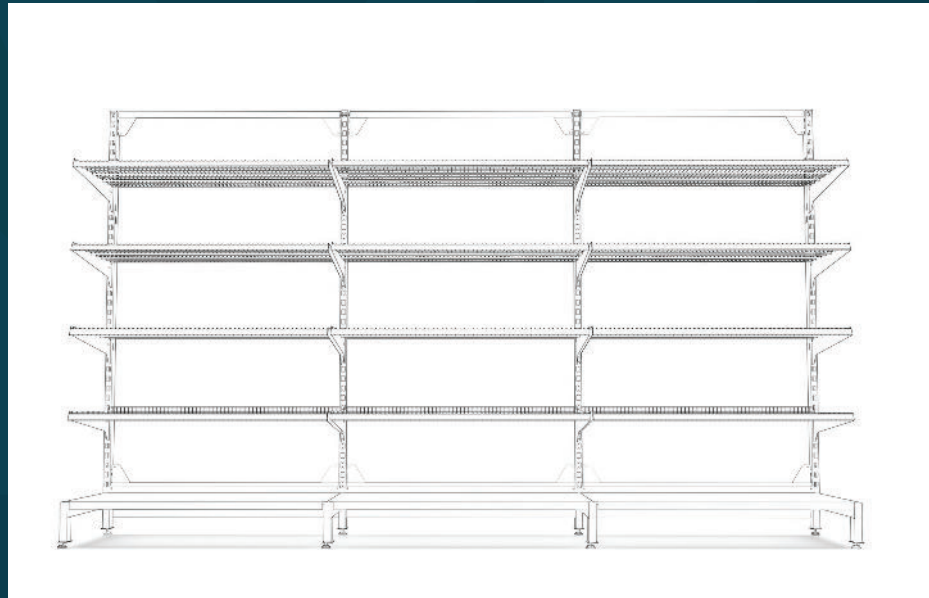
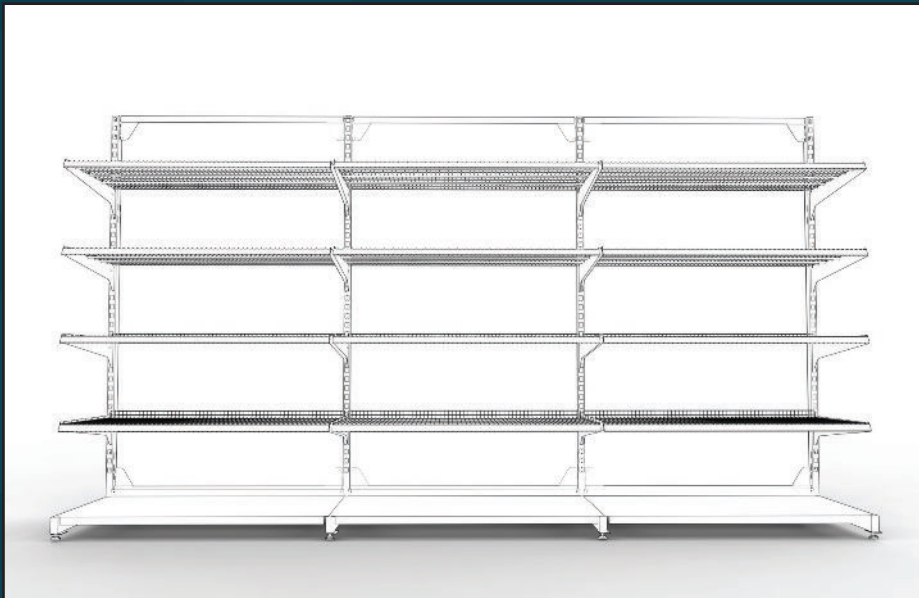
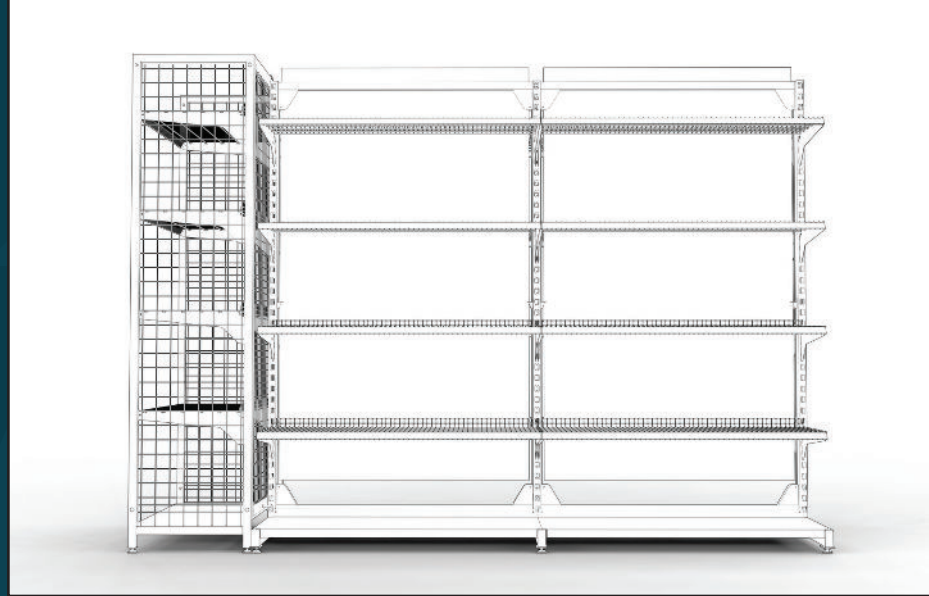
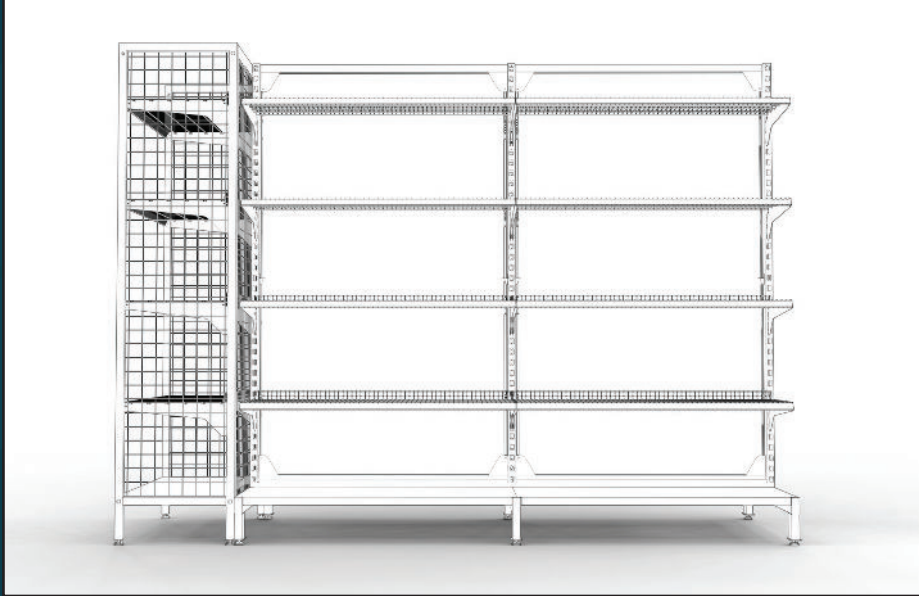
- Enhanced capability with new equipment and machinery
- Improved efficiency in manufacturing procedures
- Extended our talent base with new skills
- Introduced augmented reality systems, 3D prototyping technologies, and new tools to empower the businesses we work with.

GDM is focused on enhancing experiences for our customers and yours. We're proud of having Kiwi values and we know Foodstuffs is too. Like Foodies, we understand the special qualities that set local businesses apart and we love collaborating with people who are proudly Kiwi like us.

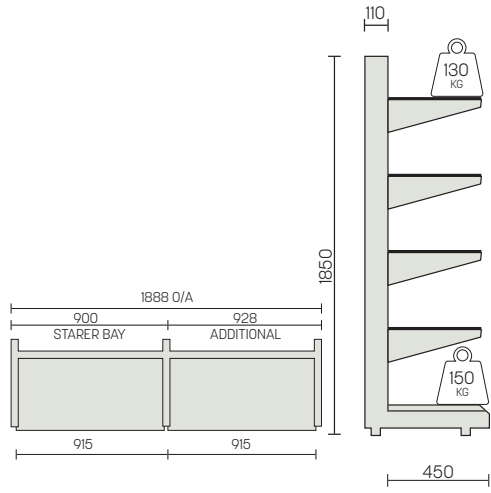
"We're motivated by challenge. We're confident in our ability to deliver exceptional products, and we're proud of our achievements."

-Brendon Bartley, Managing Director Bartley Group Holdings



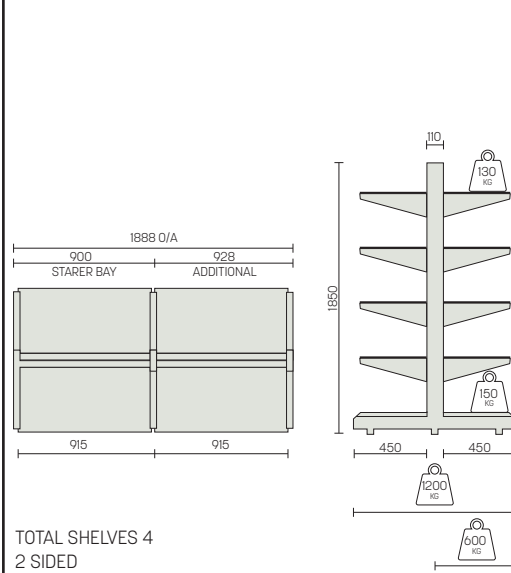


FSW001
HEAVY DUTY WALL SYSTEM
SIZE 1850H X 915W X 450D



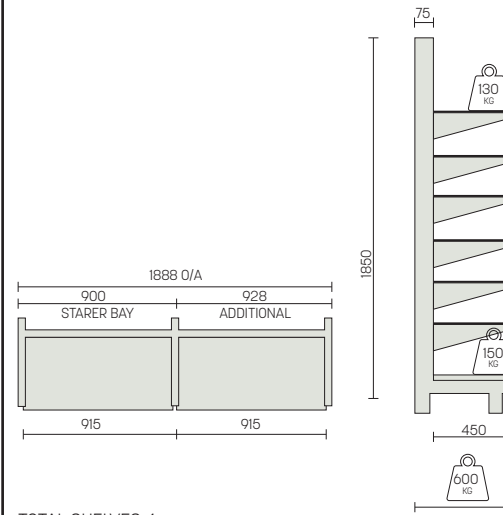
TOTAL SHELVES 4
1 SIDED
HEAVY DUTY LEG (110)

FSG001
HEAVY DUTY GONDOLA
SIZE 1850H X 915W X 450D



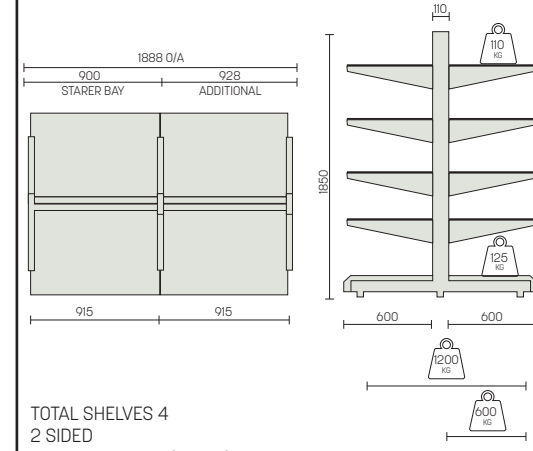
TOTAL SHELVES 4
2 SIDED
HEAVY DUTY LEG (110)

FSW002
STANDARD WALL SYSTEM
SIZE 2250H X 915W X 450D



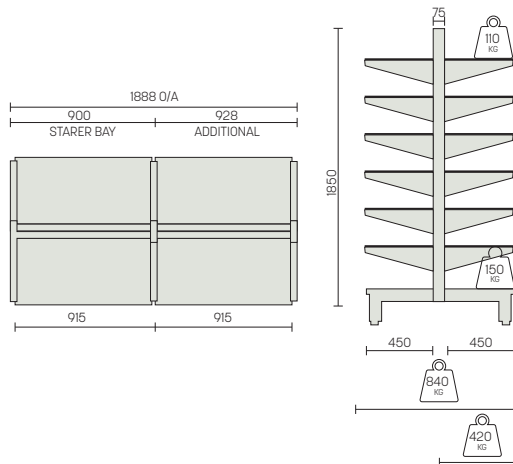
TOTAL SHELVES 4
1 SIDED
STANDARD LEG (75mm)

FSG003
HEAVY DUTY GONDOLA
SIZE 1850H X 915W X 450D



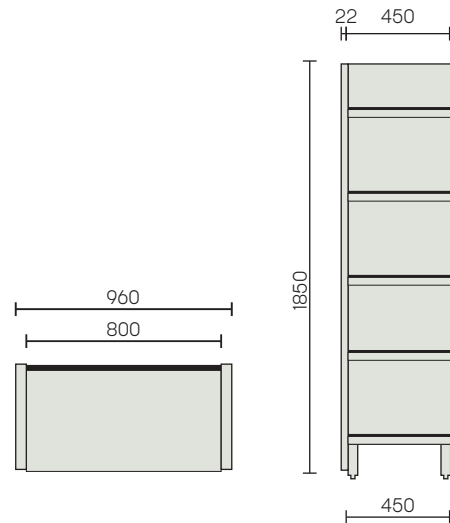
TOTAL SHELVES 4
2 SIDED
HEAVY DUTY LEG (75mm)

FSG002
STANDARD GONDOLA
SIZE 1850H X 915W X 450D



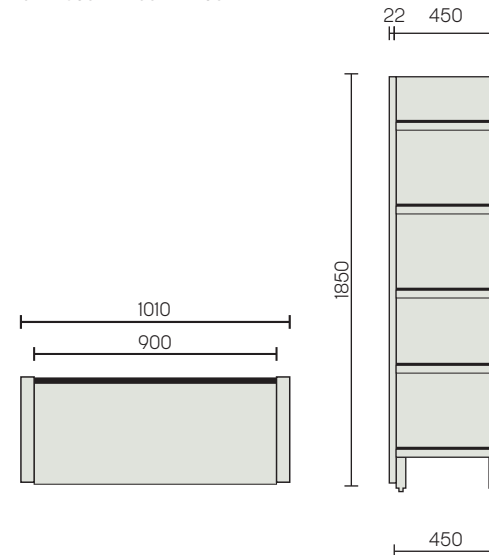
TOTAL SHELVES 6
2 SIDED
HEAVY DUTY LEG (75mm)

FSEB001
AISLE END
SIZE 1850H X 860W X 450D



TOTAL SHELVES 5
1 SIDED

FSEB002
AISLE END
SIZE 1850H X 900W X 450D



TOTAL SHELVES 5
1 SIDED



Scan QR Code to view pricing sheet

You can feel good about working with us

GDM's connections work for you

- Our warehousing capability allows us to manage storage and maintain availability of stock to meet your needs.
- Whanganui's central location and excellent infrastructure allow GDM to deliver throughout NZ with ease.

GDM is agile and responsive

- Our local factory manages high-volume production with support from our co-manufacturing facilities in China.
- We meet your unique needs and always maintain design and engineering oversight on production in NZ and China.

GDM values our environment and yours

- We reduce our footprint by purchasing locally when possible and we promote a green supply chain.
- Repurposing and recycling is fundamental to GDM and we do not send any metals to landfill.

GDM's enduring goals are fundamental

- We never compromise on our standards. Our products are always high-quality, durable, functional, practical and stylish.
- We are experts in H&S so you don't have to worry about compliance risks.

GDM is proud to be locally owned and operated

- We are proud to be operated by the inter-generational family-owned Bartley Group, which has strong roots in our community and is committed to sustainable business.
- GDM supports the community and contributes to health and wellbeing through the Bartley Foundation. The Foundation's health bus, Waka Hauora, provides essential healthcare services to the Whanganui rohe.

GDM designs in the UNESCO City of Design

- We are recognised as a design-manufacturing leader in Whanganui, which earned status as a UNESCO City of Design in 2021.
- Whanganui cites GDM's design strengths as contributing to its profile and reputation in UNESCO's Creative Cities Network.



Shelving Specifications

Standard Dimensions Upright Posts

Fully welded "L" or inverted "T" construction.
210mm plain legs or low profile 75mm leg.
Structural section 74mm x 31.8mm x 1.8mm welded tube (including legs).
1.825/2.225m high x 450/600 deep in single or double faced configuration.
Height adjustment 25mm vertical increments.

Heavy Duty Dimensions Upright Posts

Fully welded "L" or inverted "T" construction. 210mm plain legs or low profile 75mm leg.
Structural section 110mm x 31.8mm x 1.8mm welded from two sections of 2.0mm steel 110mm x 31.8mm.
H/D posts also have an internal brace 600mm high (3.0mm steel)
1.825/2.225m high x 450/600 deep in single or double faced configuration.
Height adjustment 25mm vertical increments

Upright Footings

10mm x 75mm steel studs with impact modified Acetal Coating (hexagonal).

Steel Shelves (base)

Heavy duty- 915mm x 450 or 600mm featuring reinforcing ribs back spacers and perforations front and rear.

Wire Shelves (intermediate)

Heavy duty- 915mm x 450 or 600mm
(4mm wire) 600mm deep featuring reinforcing rib.

Backpanels

Full height steel panels, dual folded safety edges which come with two separate zinc plated safety locking clips.

Kickplates

915mm x 75mm low profile (low profile post only).

Maximum Recommended Loads (Uniformly Distributed)

Standard Uprights

Double faced, 840kgs per bay. (420kgs per side).
Single faced, 420kgs per bay.

Heavy duty Uprights

Double faced, 1200kgs per bay (600kgs per side).
Single faced, 600kgs per bay.

Shelves

450mm (as base shelves) 150kgs.
450mm on brackets 130kgs.
600mm (as base shelves) 125kgs.
600mm on brackets 110kgs SafetyFactor2=1 (100%)

Steel Specifications

Specific "high strength" steel grades are used in all structural components, traditional "mild steel" has a yield strength of typically 170MPA.

Upright Footing

1.8mm gauge - NZCC-4D temper rolled steel yield strength typically 375MPA.

Shelves

0.875mm gauge - NZCC-8D cold reduced steel yield strength typically 230MPA.

Backpanels

0.875mm gauge- NZCC-8D cold reduced steel yield strength typically 230MPA.

Shelf Brackers

2.0mm gauge- NZCC-4D temper rolled steel yield strength typically 375MPA.

Weld specifications

MIG weld shielded with CO2 gas - solid wire to JIS:YGW12 standard. typically RS fillet.

Seismic Restraint

Where necessary. dedicated "screw Foot Slippers" are fitted over the adjustable screw feet and each fixed to the floor with 2 x M6 masonry anchors.

GDM

Operated by



BARTLEY
GROUP HOLDINGS LTD

Thank you.

Dave Burroughs
Business Manager
M +64 21 436 027
T +64 6 349 1789
E dave@gdmretail.com

Aneeka Beveridge
Business Development Manager
M +64 21 302 968
T +64 6 349 1789
E aneeka@gdmretail.com



GoodDesignMatters